

Vega Outline Drawings

69210 Issue 7

The following document details the casing for Vega. The unit is available in several case styles to suit different mains input options as follows:

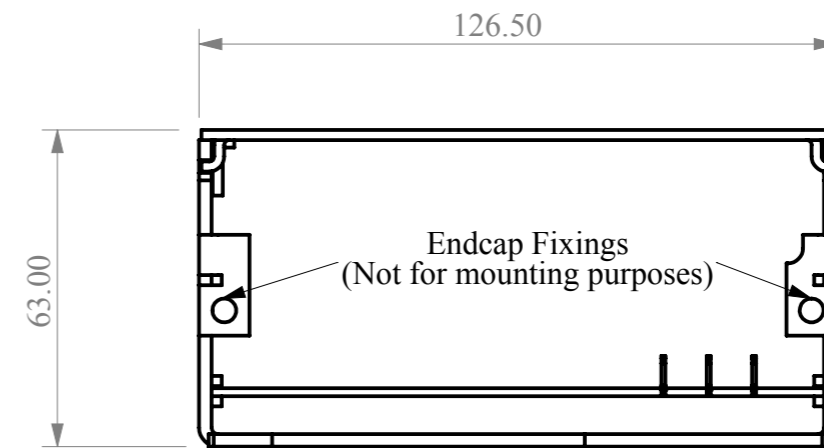
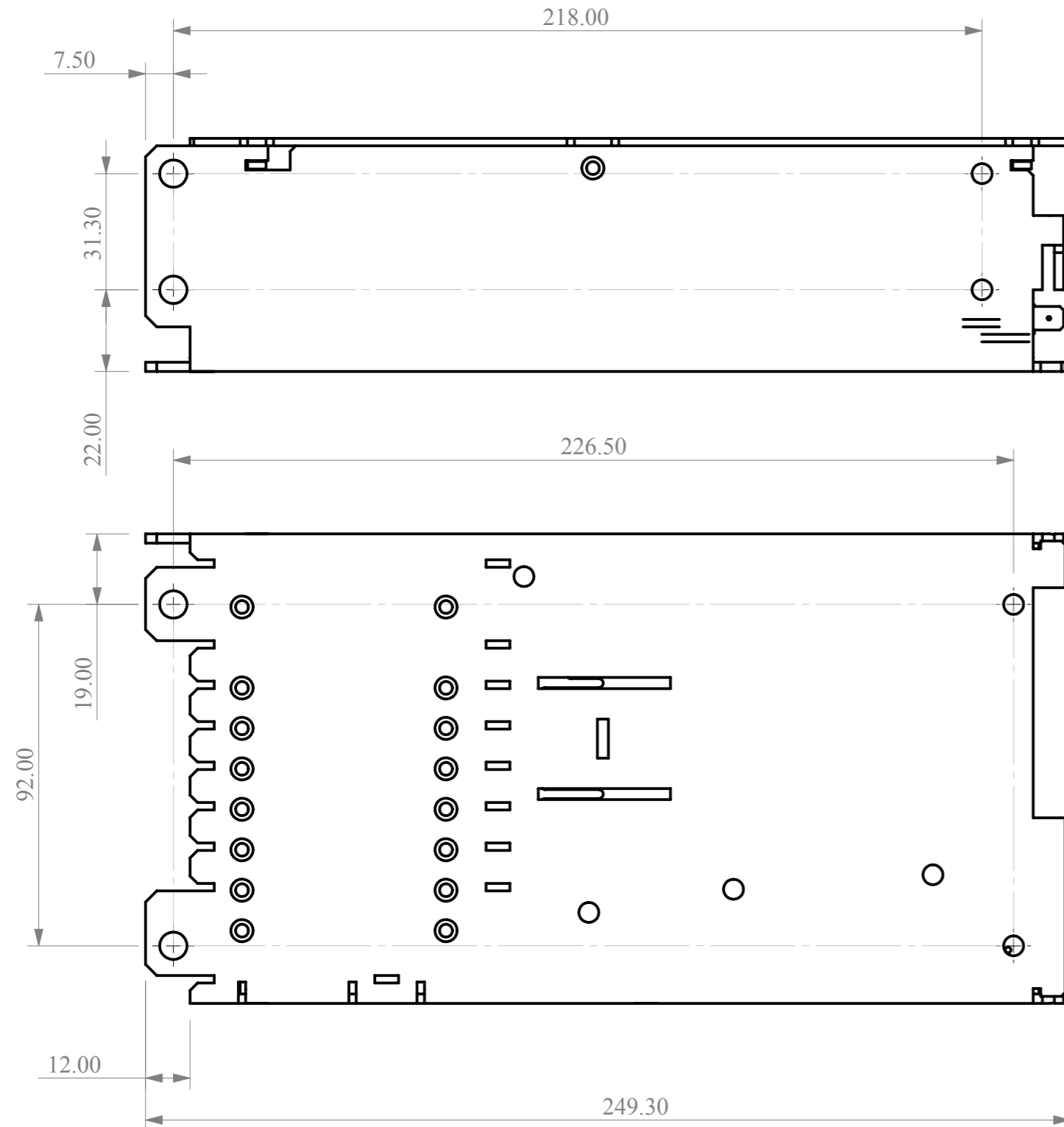
- o Screw Terminal 6/32 8.3mm barrier strip (vertical or horizontal)
- o 6.35mm quick connect spade terminals (Fastons)
- o IEC 320 switched connect
- o Customer air option. (No fan or endcap)

All endcap options are field replaceable (by trained service personnel) The endcaps are removeable from the fan end without the need to remove the power supply from its mountings.

Tolerances (Unless otherwise stated) +/-0.5

Vega 650 Customer Air & Fixing Detail

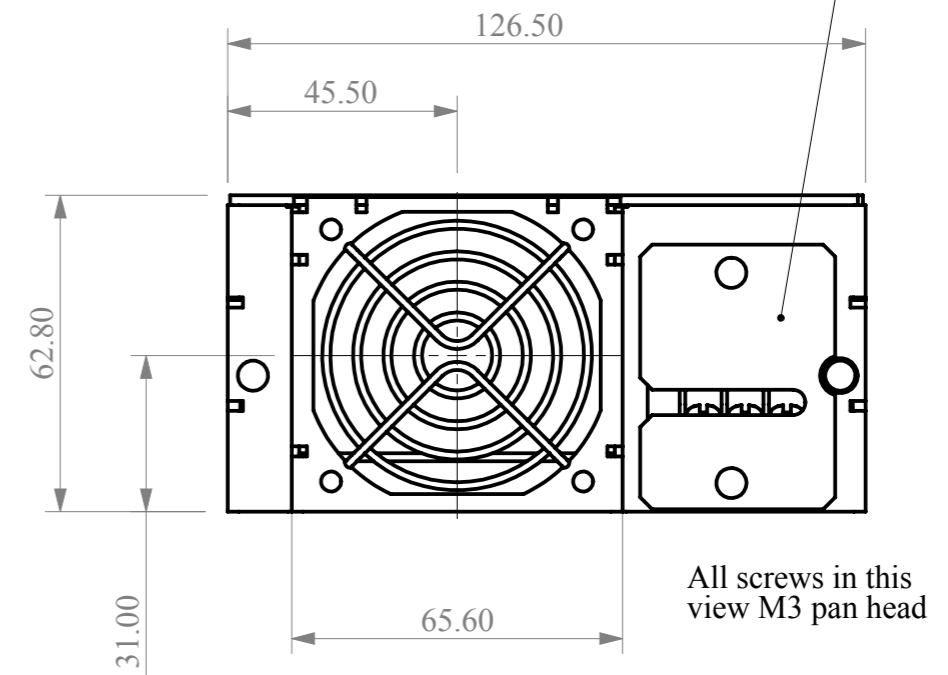
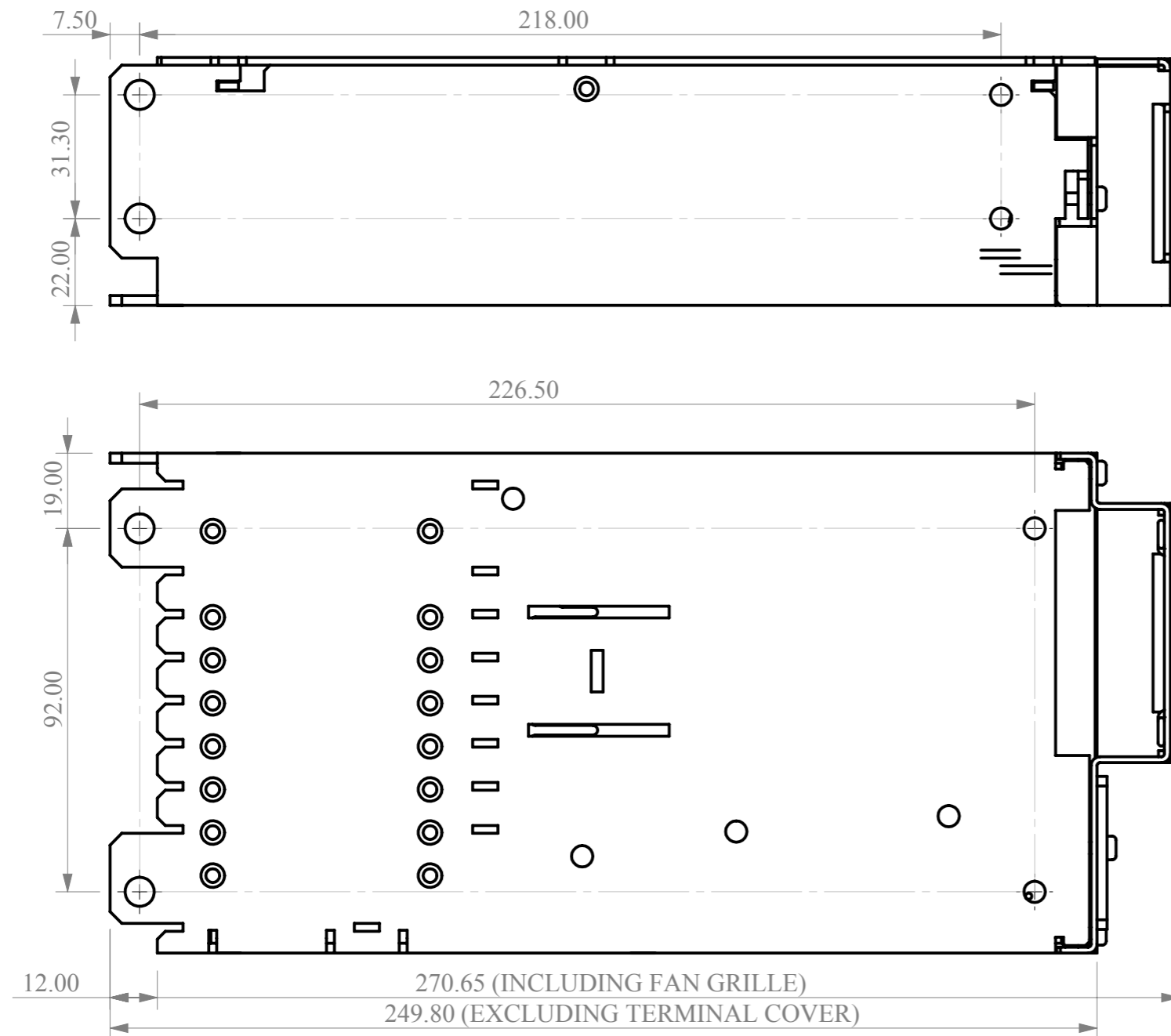
69210 Issue 7



Customer fixings are M4

Vega 650 Screw Terminal Input 69210 Issue 7

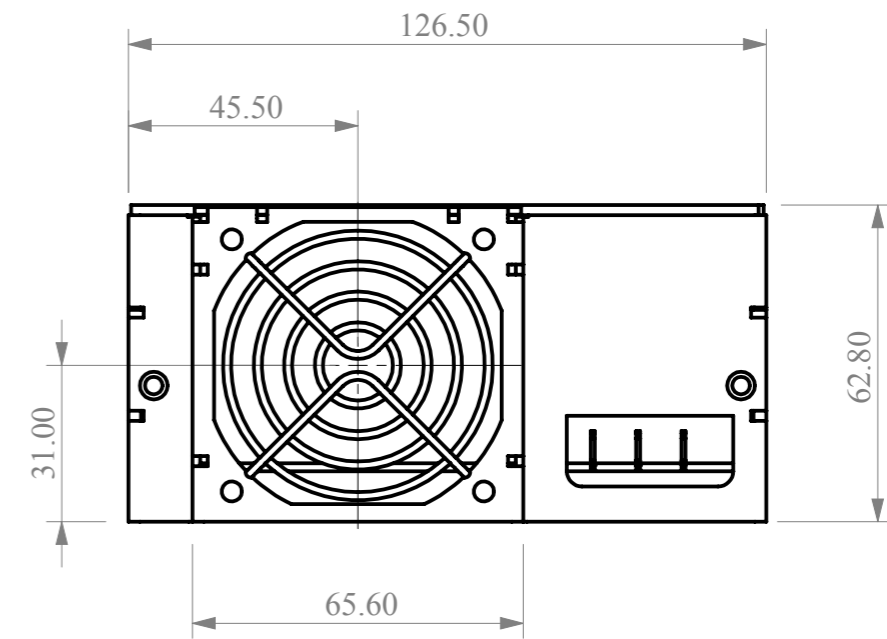
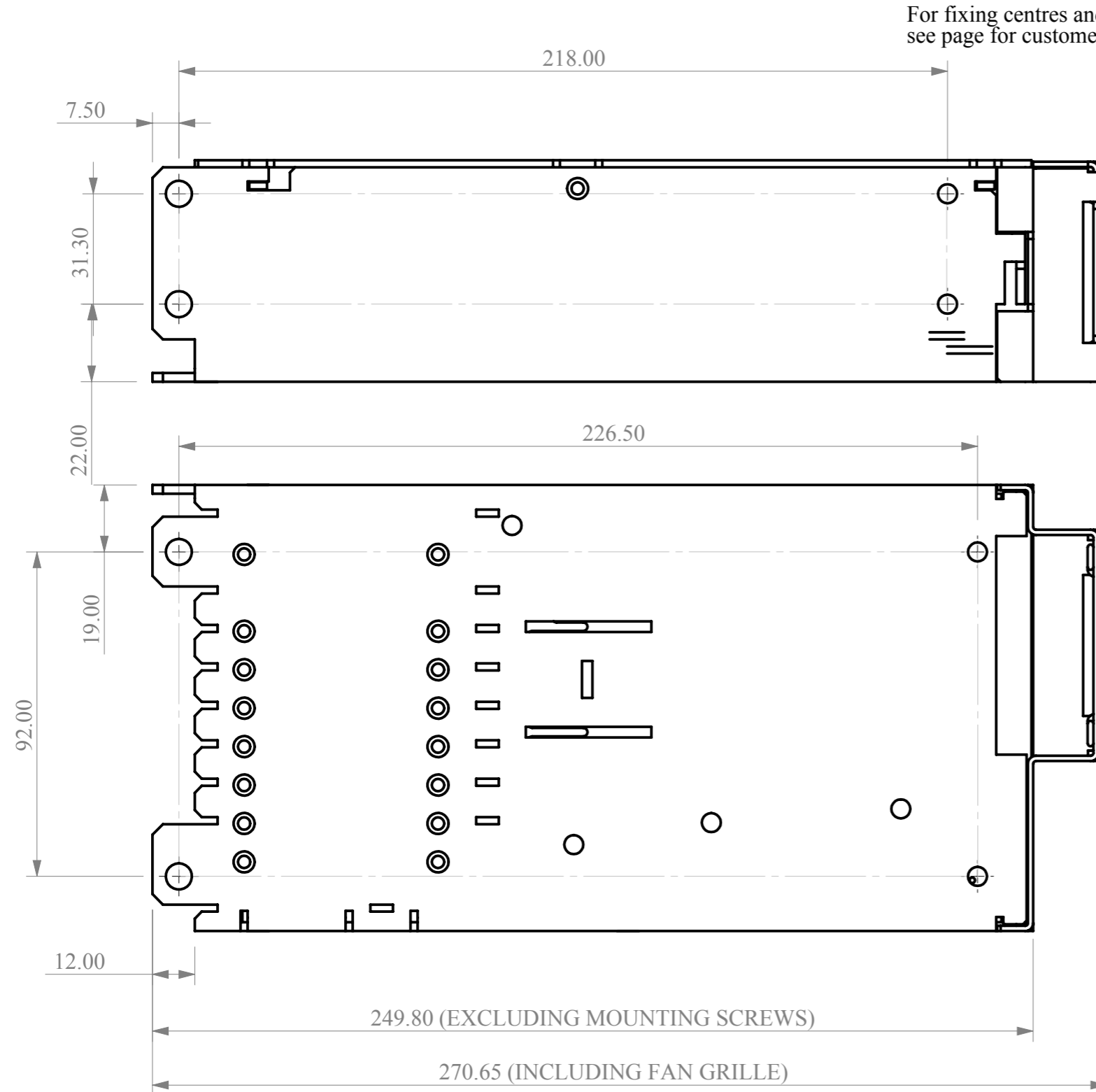
Access to screw terminals may be gained by removing terminal cover and using a right hand screw driver OR through access holes in unit cover



Customer fixings are M4

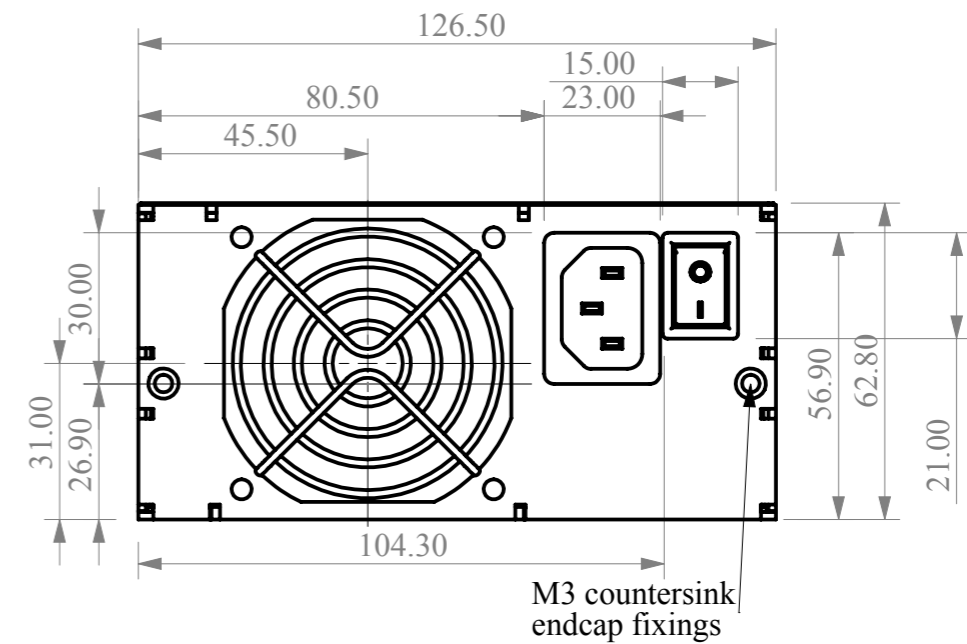
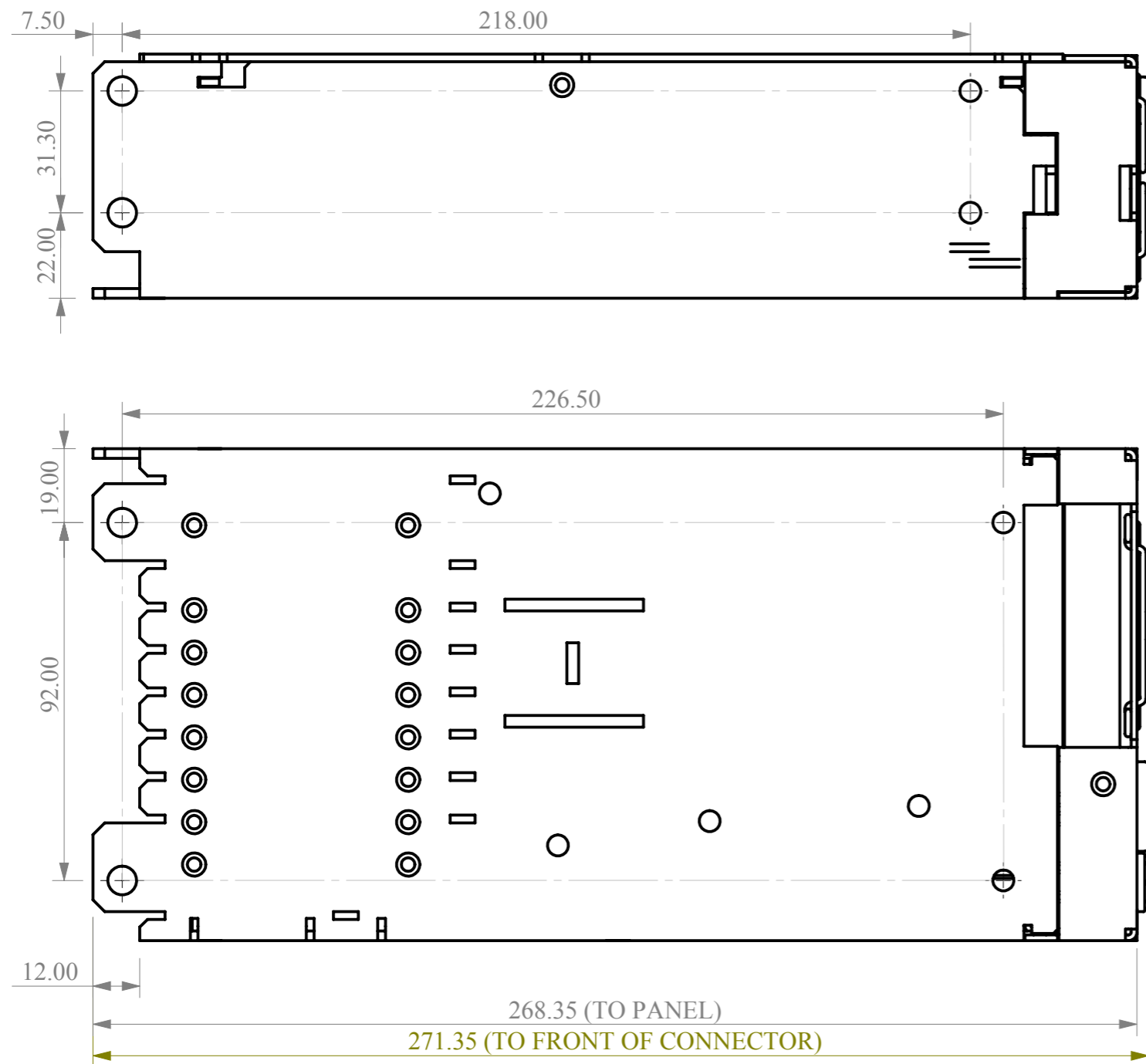
Vega 650 Quick Connect (Faston) Input 69210 Issue 7

For fixing centres and general sizes
see page for customer air option



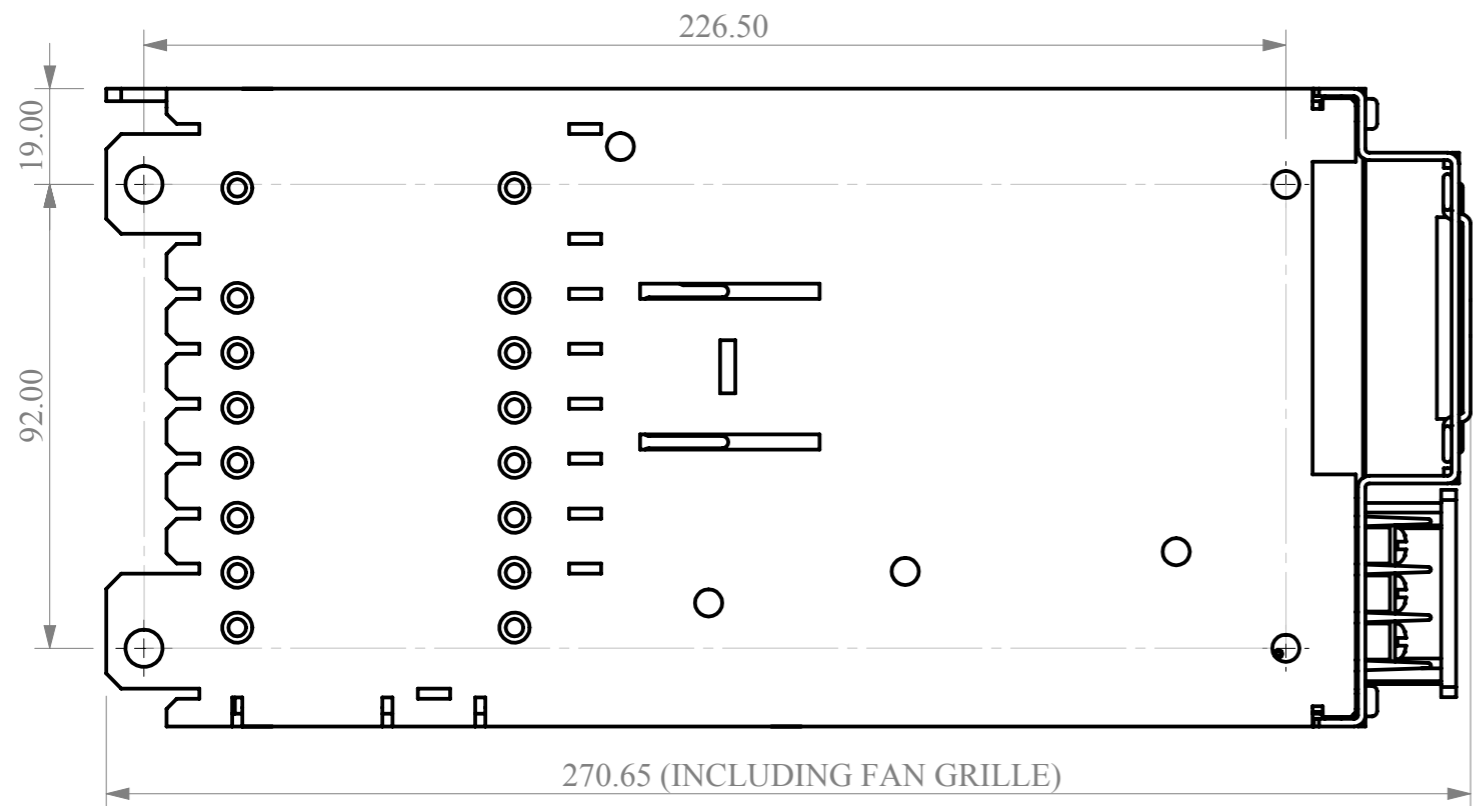
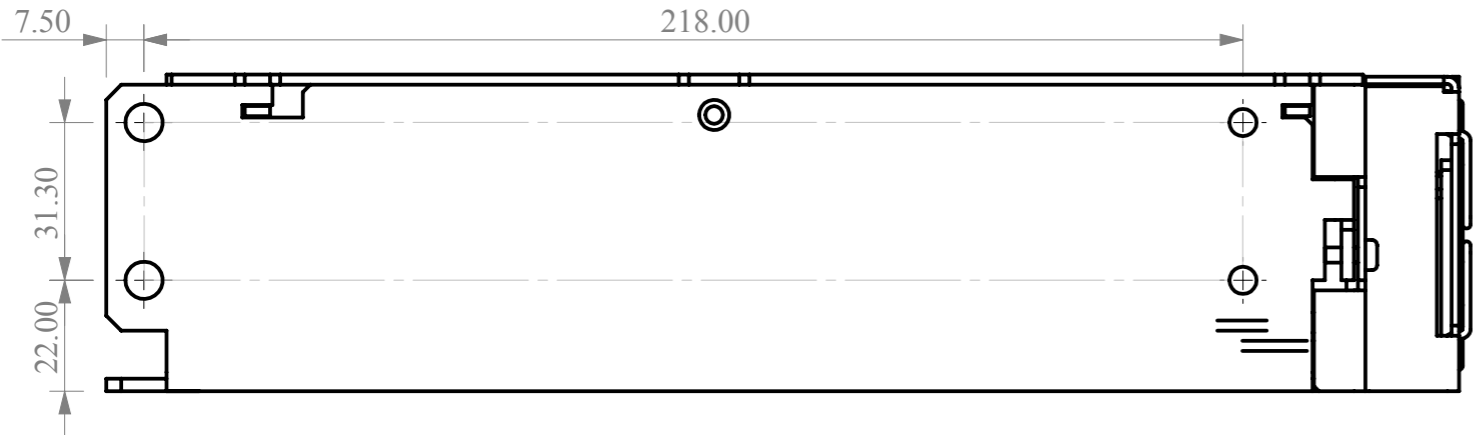
Customer fixings are M4

Vega 650 IEC 320 (Switched) Input 69210 Issue 7

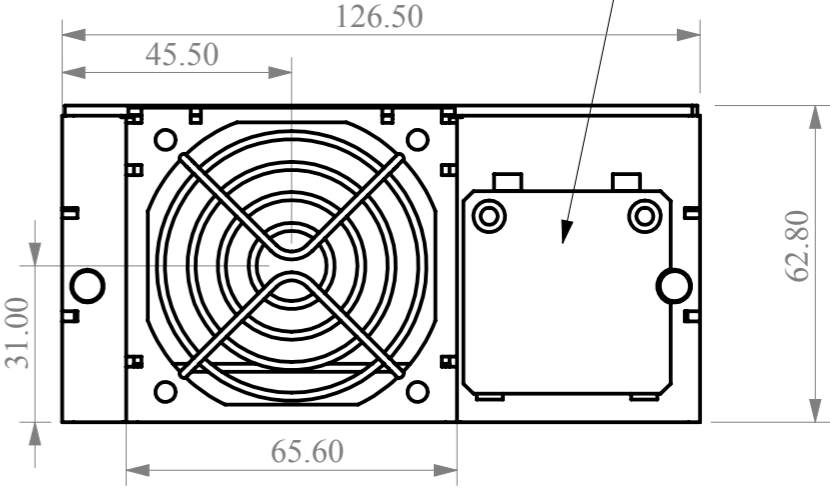


Customer fixings are M4

Vega 650 Right Angle Screw Terminal Input 69210 Issue 7

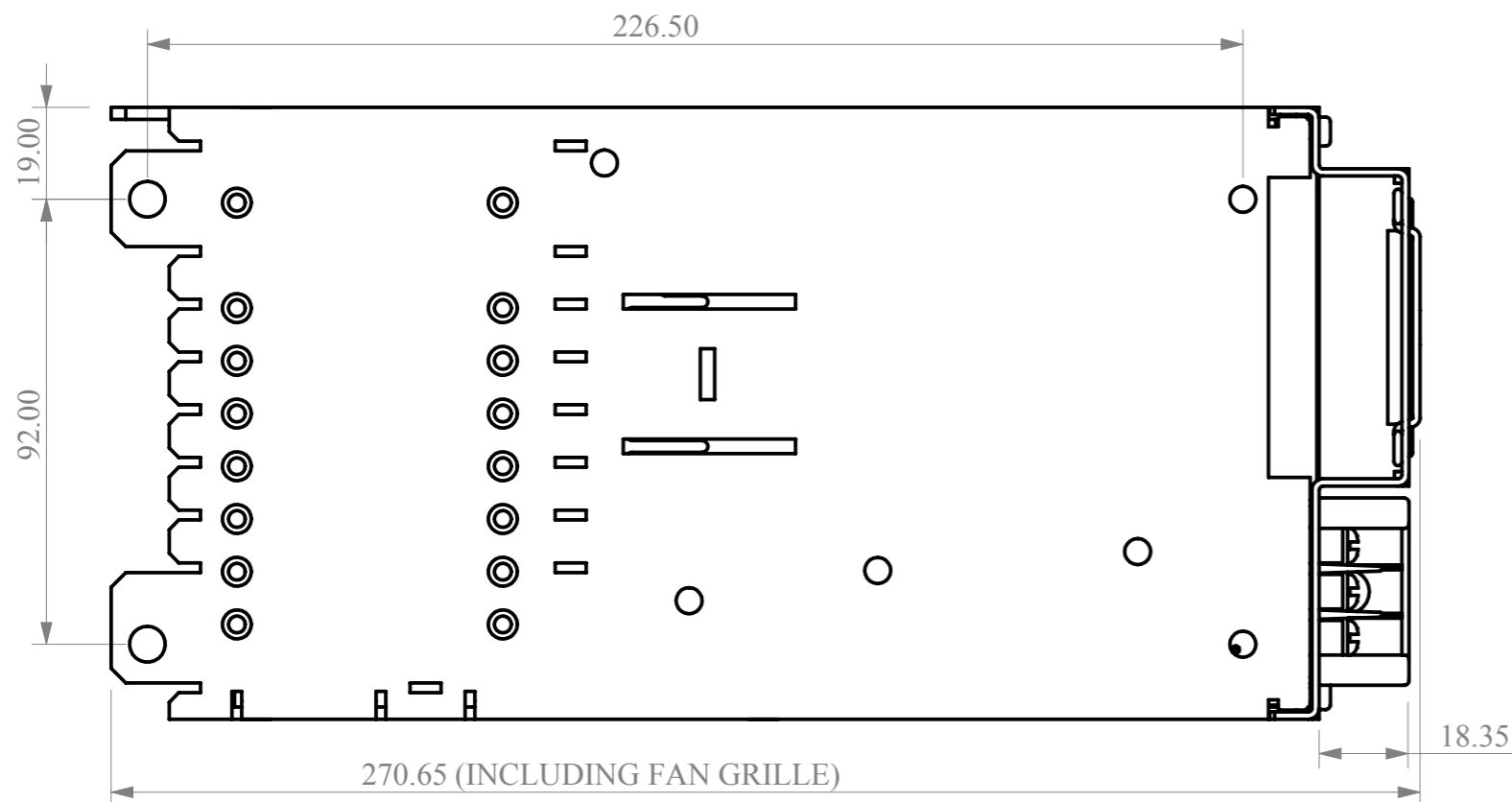
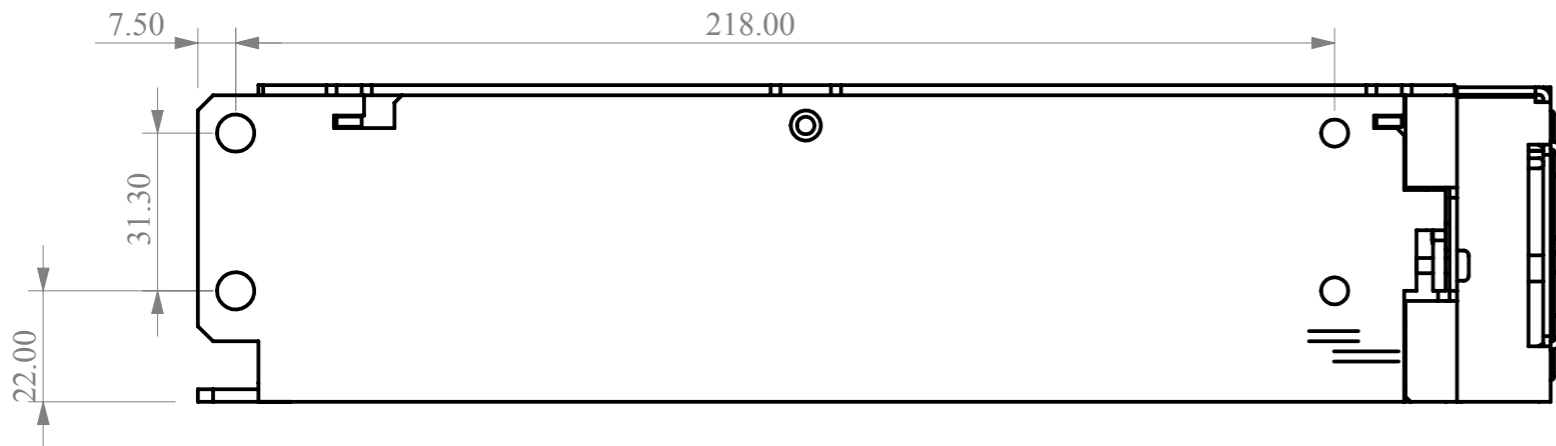


Shown with supplied terminal cover fitted



Customer fixings are M4

Vega 650 Right Angle Screw Terminal Input 69210 Issue 7



Access to screw terminals may be gained by removing terminal cover.

